

Datasheet



Bypass100/250
Bypass500/630

Overview

ATESS bypass cabinet is designed to be used together with bidirectional battery inverter realize seamless transfer between on and off grid mode automatically

Features



Zero-export function



Seamless on/off grid transfer

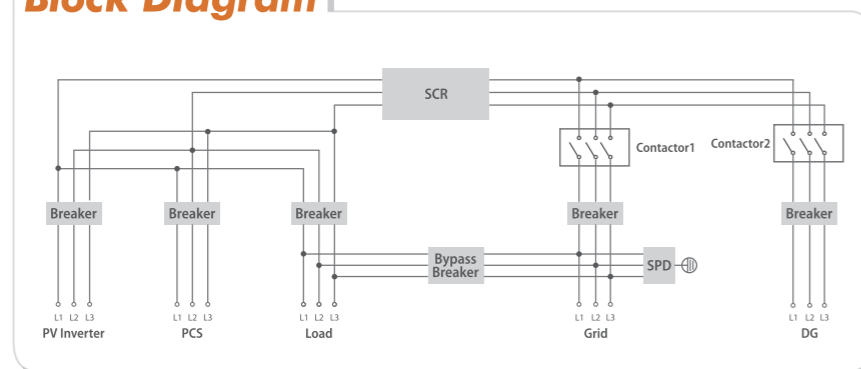


Flexible management



DG connection supported

Block Diagram



	Bypass100	Bypass250	Bypass500	Bypass630
Rated voltage	400V	400V	400V	400V
Rated current	144A	360A	722A	910A
Rated frequency	50Hz	50Hz	50Hz	50Hz
Rated power	100KVA	250KVA	500KVA	630KVA
Max. current	175A	435A	866A	1091A
Transfer between on/off grid	Automatics10ms	Automatics10ms	Automatics10ms	Automatics10ms
Zero export function	Opt	Opt	Opt	Opt
PV inverter breaker	Opt	Opt	Opt	Opt
PCS breaker	250A	630A	1250A	1250A
Grid breaker	250A	630A	1250A	1250A
Load breaker	250A	630A	1250A	1250A
Bypass breaker	250A	630A	1250A	1250A
DG breaker	Opt	Opt	Opt	Opt
Lightning protection	Type II	Type II	Type II	Type II
Protection degree	IP20	IP20	IP20	IP20
Relative humidity	0-95% non-condensing	0-95% non-condensing	0-95% non-condensing	0-95% non-condensing
Operating temperature	-25 °C~+55 °C	-25 °C~+55 °C	-25 °C~+55 °C	-25 °C~+55 °C
Dimension (W/H/D)	700/1630/500mm	750/1800/500mm	1600/1900/800mm	1600/1900/800mm
Weight	135kg	205kg	900kg	1040kg
Communication	RS485/CAN	RS485/CAN	RS485/CAN	RS485/CAN