

Datasheet



ATS30/50/150-US

Overview

ATS is an accessory of HPS, when both the grid and the DG need to access HPS, ATS will be used to switch between grid and DG automatically

Features



HPS compatible



Transfer automatically between grid and DG

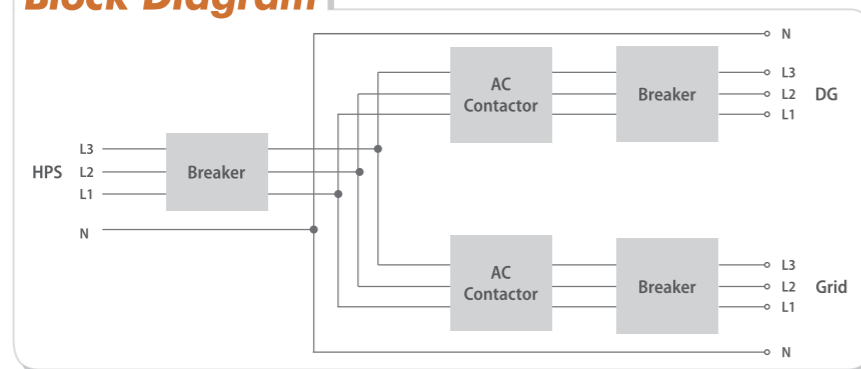


Flexible management



Support remote control of DG

Block Diagram



	ATS30-US					ATS50-US					ATS150-US				
Rated voltage	190V	200V	208V	220V	240V	190V	200V	208V	220V	240V	190V	200V	208V	220V	240V
Rated current	137A	130A	125A	118A	108A	228A	217A	208A	197A	180A	547A	520A	500A	472A	433A
Rated frequency	50/60Hz					50/60Hz					50/60Hz				
Rated power	45kVA					75kVA					180kVA 190kVA 195kVA 205kVA 225kVA				
Zero export function	Opt					Opt					Opt				
Output breaker	160A					250A					630A				
Grid breaker	160A					250A					630A				
DG breaker	160A					250A					630A				
Lightning protection	Type II					Type II					Type II				
Protection degree	IP20					IP20					IP20				
Relative humidity	0~95% non-condensing					0~95% non-condensing					0~95% non-condensing				
Operating temperature	-25°C~+55°C					-25°C~+55°C					-25°C~+55°C				
Dimension (W/H/D)	600/1500/450mm					600/1500/450mm					700/1650/500mm				
Weight	75kg					77kg					125kg				
Communication	RS485/CAN					RS485/CAN					RS485/CAN				